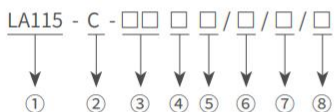


概述 GENERAL DE Scription

LA115-C 系列控制元器件包括按钮、信号灯、旋钮、钥匙开关，推锁旋放钮和蜂鸣器，附件包括插座、开关防护罩和灯珠安装杆等。其开关结构紧凑，操作瞬动柔和，照明单元采用超光亮 LED。短头操作开关使用可靠边的镀金银触点，其卡装式结构罩拆装方便。

LA115-C series control elements includes button, signallamp, knob, key switch emergency stop button and buzzer', accessory ncludes socket, switch guard and mounting pole for bulb. The switch shows compact structure, instantaneous and soft operation.adopts super-brightness LED for illumination unit and the shortbody operating switch uses reliable gold plated and silver contact. t is very conven ient to assemble and disassemble for clamping type structure cover.


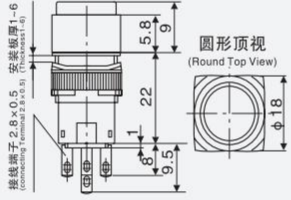

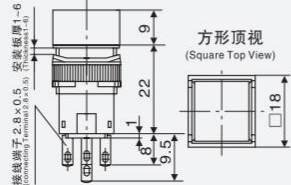

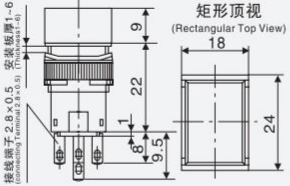

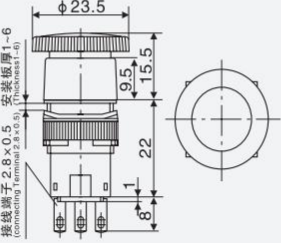
型号说明 MODEL & EXPLANATION




- ①: 按钮开关型号 Push button code
- ②: 设计序号 Design serial number
- ③: 触点结构: 第一位表示常开触头数; 第二位表示常开触头号数
Contact structure: the first digit means number of NO contact; the second digit means number of NC contact
- ④: 头部形状: 圆形 A; 方形 F; 长方形 CF; 蘑菇形 M;
Head shape: Round-A; Square-F; Rectangle-CF; Mushroom-M
- ⑤: 操作类型: 指示灯 XD; 无标记为自复按钮; 自锁按钮 L; 急停按钮 ZS; 钥匙开关 Y: 选择开关 X: 蜂鸣器 B
Operation type: XD: indicatorlight; No mark: Auto-resetting button;L:Auto-locking button;
ZS: Emergency-stop button; Y: key switch; X: selectorswitch;B:Buzzer
- ⑥: 颜色: R: 红; G: 绿; Y: 黄; B: 蓝; W: 白; K: 黑 Color: R:Red; G:Green; Y:Yellow; B:Blue; W:White; K:Black
- ⑦: 旋钮和钥匙开关类别: 二位置: 2: 三位置: 3: Sort of knob and key switch: 2P:2: 3P:3
- ⑧: 带灯部分电压 Part voltage with lamp


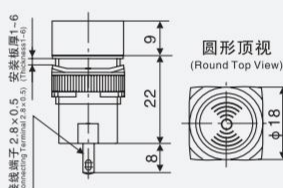

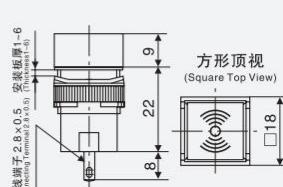

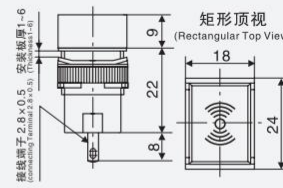

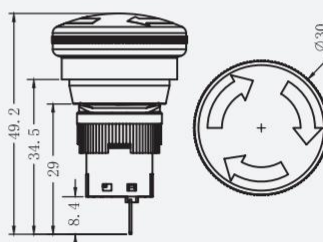
技术参数 TECHNICAL PARAMETERS

标准使用环境 Standard operational environment	周围温度 (Operational temperature)-25°C +50°C (无冻结); 操作湿度 (Operational humidity): 45 ~85%(无结霜)	
接触电阻 Contact resistance	≤ 50mΩ	
绝缘电阻 Insulation resistance	≥ 100mΩ	
最高耐压 Power-frequency with stand voltage	触点与灯珠引脚之间 Between contact and light Pearl's leg	2000 伏, 交流 50Hz, 一分钟 AC2000V/50Hz,1 minute
	同极端子之间 Between terminals at same level	1000 伏, 交流 50Hz, 一分钟 AC 1000V/50Hz, 1 minute
	不同电极端子之间 Between poles at different level	2000 伏, 交流 50Hz, 一分钟 AC 2000V/50Hz, 1 minute
耐振动性 Vibration Durability	50Hz, 振幅约 1.2mm 50Hz, Swing about 1.2mm	
耐冲击性 Strike Durability	大于 10m/s ² (约 10g) > 10m/s ² (about 10g)	
机械寿命 Mechanical life	自复按钮 20 万次, 其它 10 万次 Momentary pushbutton 200000 times, others 100000 times	
电气寿命 Electric life	自复按钮 10 万次, 其它 5 万次 Momentary pushbutton 100000 times, others 50000 times	
接线 Wire connection	焊接线直径 2×0.8mm 最大; Welded wire diameter 2×0.8mm maximum;	
	最大铜线面积 0.75mm ² : 接线插 2.8 x 0.5mm Copper wire dimension:0.75mm ² ; Wire terminal:2.8 x 0.5mm	
头部防护等级 Degree of protection	密封型 Seatledtvoe (Id40). 防水 / 油型 (IP65)	

描述 describe	尺寸 size
 <p>LA115-C-11A LA115-C-AXD 指示灯、带灯按钮 Indicatorlight&Illuminated Pushbutton</p>	 <p>圆形顶视 (Round Top View)</p>
 <p>LA115-C-11F LA115-C-FXD 指示灯、带灯按钮 Indicatorlight&Illuminated Pushbutton</p>	 <p>方形顶视 (Square Top View)</p>
 <p>LA115-C-11CF LA115-C-CFXD 指示灯、带灯按钮 Indicatorlight&Illuminated Pushbutton</p>	 <p>矩形顶视 (Rectangular Top View)</p>
 <p>LA115-C-11M LA115-C-MXD 指示灯、带灯按钮 Indicatorlight&Illuminated Pushbutton</p>	 <p>圆形顶视 (Round Top View)</p>

描述 describe	尺寸 size
 <p>LA115-C-11XCF LA115-C-22XCF 选择开关 Selector Switch</p>	 <p>圆形顶视 (Round Top View)</p>
 <p>LA115-C-11XA LA115-C-22XA 选择开关 Selector Switch</p>	 <p>方形顶视 (Square Top View)</p>
 <p>LA115-C-11XF LA115-C-22XF 选择开关 Selector Switch</p>	 <p>矩形顶视 (Rectangular Top View)</p>
 <p>LA115-C-11YA LA115-C-22YA 钥匙选择开关 Key-operated</p>	 <p>圆形顶视 (Round Top View)</p>

描述 describe	尺寸 size
 <p>LA115-C-11YF LA115-C-22YF 钥匙选择开关 Key-operated</p>	 <p>方形顶视 (Square Top View)</p> <p>安装板厚 1-6 (Mounting board thickness 1-6)</p> <p>接线端子 2.8×0.5 (Connecting terminal 2.8×0.5)</p> <p>28 22 8 1</p>
 <p>LA115-C-11YF LA115-C-22YF 钥匙选择开关 Key-operated</p>	 <p>矩形顶视 (Rectangular Top View)</p> <p>安装板厚 1-6 (Mounting board thickness 1-6)</p> <p>接线端子 2.8×0.5 (Connecting terminal 2.8×0.5)</p> <p>28 22 8 1</p> <p>18 24</p>
 <p>LA115-C-11ZS LA115-C-22ZS 急停按钮 Emergency Stop Pushbutton</p>	 <p>安装板厚 1-6 (Mounting board thickness 1-6)</p> <p>接线端子 2.8×0.5 (Connecting terminal 2.8×0.5)</p> <p>φ23.5 15.5 9.5 22 8 1</p>
 <p>LA115-C2-11ZS LA115-C2-22ZS 急停按钮 Emergency stop button</p>	<p>1NO+1NC 2NO+2NC</p>

描述 describe	尺寸 size
 <p>LA115-C-AB 蜂鸣器 Buzzer</p>	 <p>圆形顶视 (Round Top View)</p> <p>安装板厚 1-6 (Mounting board thickness 1-6)</p> <p>接线端子 2.8×0.5 (Connecting terminal 2.8×0.5)</p> <p>9 22 8 φ18</p>
 <p>LA115-C-FB 蜂鸣器 Buzzer</p>	 <p>方形顶视 (Square Top View)</p> <p>安装板厚 1-6 (Mounting board thickness 1-6)</p> <p>接线端子 2.8×0.5 (Connecting terminal 2.8×0.5)</p> <p>9 22 8 φ18</p>
 <p>LA115-C-CFB 蜂鸣器 Buzzer</p>	 <p>矩形顶视 (Rectangular Top View)</p> <p>安装板厚 1-6 (Mounting board thickness 1-6)</p> <p>接线端子 2.8×0.5 (Connecting terminal 2.8×0.5)</p> <p>9 22 8 18 24</p>
 <p>LA115-C3-11ZS LA115-C3-22ZS 急停按钮 Emergency stop button</p>	 <p>φ30</p> <p>49.2 31.5 29 8.4</p>